



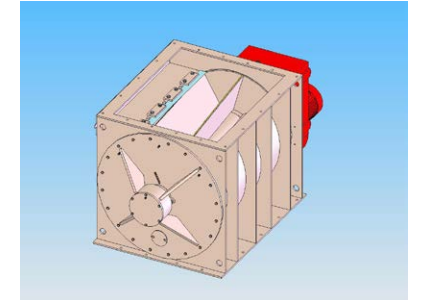
ROTARY VALVES

www.instalmec.it

 ENGLISH



Rotary valve type CC



Type	Diameter	Rotor length	Installed power
	Ø mm	mm	kW
CC 400	400	500	2.2
CC 500	500	635	3
CC 600	600	750	4
CC 750	750	900	5.5
CC 900	900	1150	11
CC 1100	1100	1300	11

Suitable for high pressure applications, high filling factor. Wear proof execution, inlet and outlet. Provided with steel knife, extra-heavy housing construction with chrome-plated box and adjustable brass seal rings for minimum air loss. Stainless steel execution if required. Suitable for vacuum applications.

Advantages

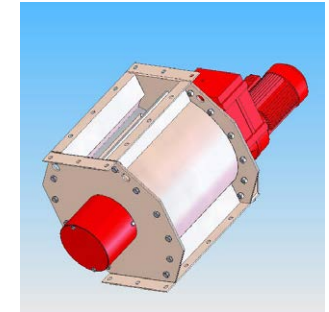
- High wear resistance
- Elimination of the pulse of the material
- Suitable for vacuum applications as well

Rotary valve type GD



Suitable for medium pressure applications. Carbon steel execution with anti-reverse rubber sealing. Blade system for double durability. Rotor and housing box turned. Housing with chrome bore if required. Stainless steel execution if required. Suitable for vacuum applications.

Type	Diameter	Rotor lenght	Installed power
	Ø mm	mm	kW
GD 300	300	300	0.75
GD 300 L	300	400	0.75
GD 400	400	400	1.1
GD 400 L	400	600	1.1
GD 500	500	500	1.5
GD 500 L	500	750	1.5
GD 600	600	600	2.2
GD 600 L	600	850	2.2
GD 700	700	700	2.2
GD 700 L	700	1000	2.2
GD 800	800	800	3
GD 800 L	800	1100	3
GD 1000	1000	1000	5.5
GD 1000 L	1000	1300	5.5
GD 1200	1200	1200	7.5
GD 1200 L	1200	1500	7.5
GD 1400	1400	1400	9.2
GD 1400 L	1400	1750	9.2
GD 1600	1600	1600	9.2
GD 1600 L	1600	2000	9.2
GD 1800	1800	1800	11
GD 1800 L	1800	2200	11
GD 2000	2000	2000	15
GD 2000 L	2000	2500	15

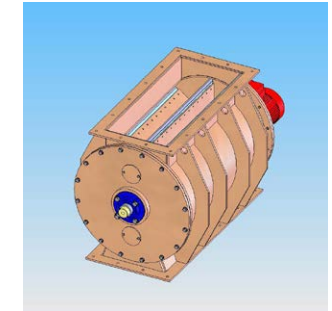


Rotary valve type FB



Suitable for low density materials such as fibre or light powders. Carbon steel execution with special anti-reserve rubber sealing. Suggested for MDF plants. Stainless steel execution if required. Suitable for vacuum applications.

Type	Diameter	Rotor lenght	Installed power
	Ø mm	mm	kW
FB300	300	300	0.75
FB400	400	400	1.1
FB500L	500	750	1.5
FB700	700	700	2.2
FB700L	700	1000	2.2
FB1000	1000	1000	4
FB1000L	1000	1300	4
FB1300	1300	1300	5.5
FB1300L	1300	1600	5.5
FB1700	1700	1700	7.5
FB1700L	1700	2200	7.5
FB2000	2000	2000	9.2
FB2000L	2000	2500	9.2
FB2300	2300	2300	11
FB2300L	2300	2900	11
FB2700	2700	2700	15
FB2700L	2700	3400	15
FB3000	3000	3000	18.5
FB3000L	3000	3700	18.5



NOTES

Delivering innovation respecting the environment



Instaltec S.r.l. a socio unico

Soggetta ad attività di direzione e coordinamento da parte di IPOEMA 76 FUNDUSZ

Via Malignani, 1 - 33058 San Giorgio di Nogaro - UD, Italy - Phone: +39 0431 626311 - Fax: +39 0431 626300 - sales@instaltec.it - www.instaltec.it